

## Polypropylene Air Valves

### Description

For supply or extract air, having fully adjustable inner core which regulates air volume, noise level and pressure drop. Suitable for ceiling and duct mounting.

### Construction

From self extinguishing flame retardant polypropylene, self coloured white.

### Size and Weight

Available in 100mm, 150mm and 200mm Ø.

### How to Specify

STATE QUANTITY, THE PRODUCT CODING AND THE SIZE WIDTH X HEIGHT

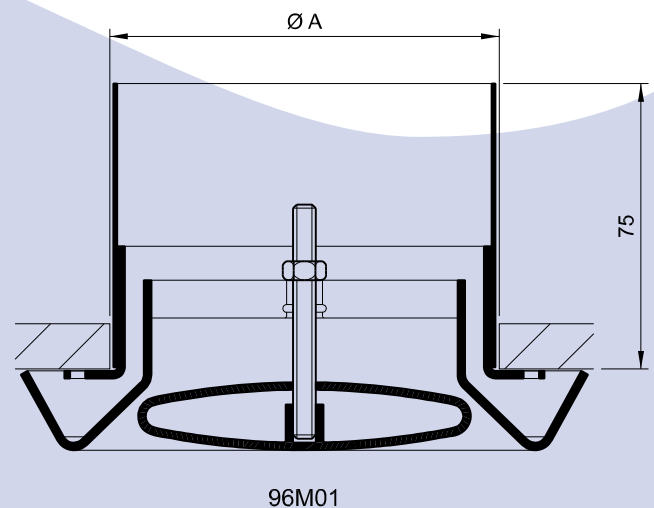
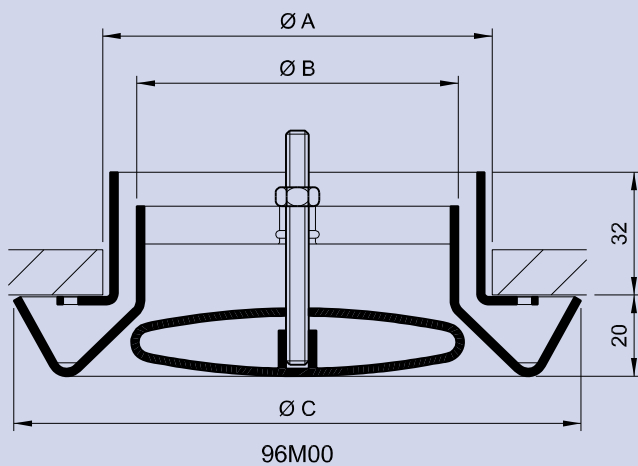
e.g. 10 Qty. 96M00+1B 150 Ø.



Frame Style	Core	Options	Accessories
<b>96</b> Circular	<b>M</b> Polypropylene	<b>0</b> None	<b>0</b> None
			<b>1</b> 75mm Extension Collar



Fixings	Finish
<b>1</b> Mounting Collar	<b>B</b> Self Coloured White



96M00			
Size	Dimensions (mm)		
	Ø A	Ø B	Ø C
Ø 100	100	80	150
Ø 150	150	120	190
Ø 200	200	170	240