

60mm Weather Louvres

Description

For intake or extract air, the 45° blades are fixed at 60mm centres and have excellent integral rain defence features. Suitable for external mounting and is economically priced.

Construction

From extruded aluminium sections, frame and blades 1.6mm thick. Hairline mitres mechanically held, fitted as standard with rear galvanised steel bird mesh screen.

Size and Weight

From 300 x 300 up to 2500 x 1800. Concealed rear mullions when width exceeds 1200mm.

Weight approximately 12kg/m².

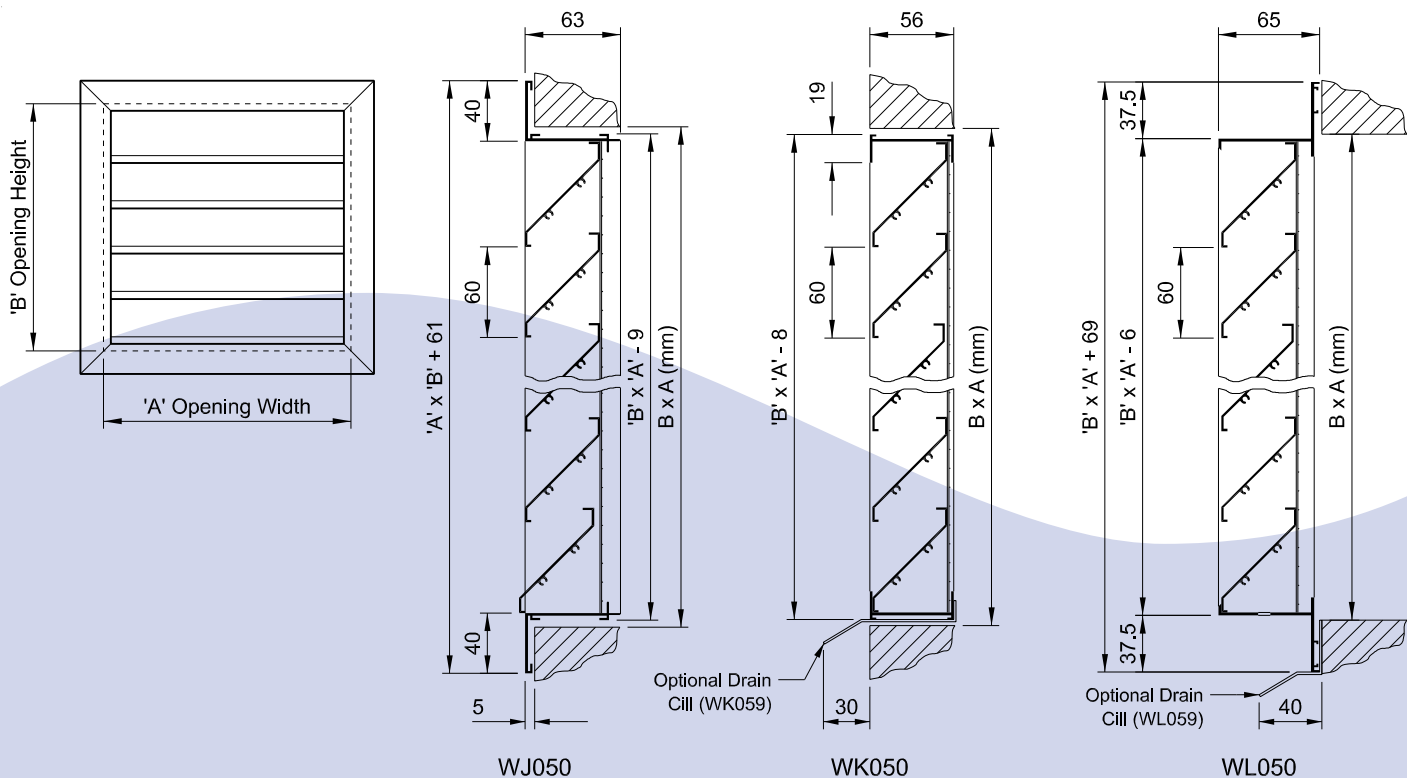
Free area 48%.

Product Specification

State Quantity, the product coding and the size Width x Height e.g. 10 Qty.WJ050+0C 1500 x 1000.



LOUVRES



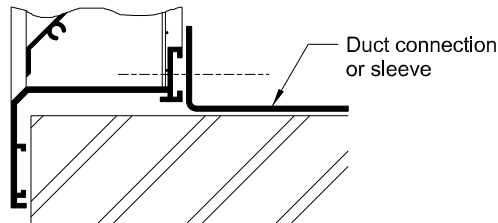
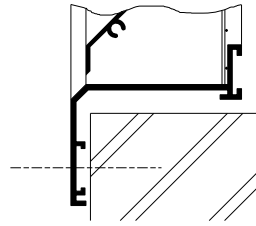
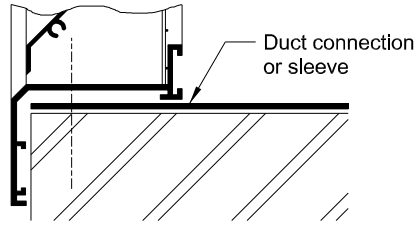
Frame Style	Panel Options	Mesh Options	Accessories
WJ 40mm Flange	0 Single Panel	5 Bird Mesh	0 None
WK Recessed Frame		7 Insect Mesh	9 Drain Cill
WL Reversed Angle Frame		0 None	



Fixings	Finish
0 None	D Mill Finish
1 Flange Holes	C PPC BS / RAL Colour
4 Rear Fixing Lugs	

Weather Louvre Fixing Options

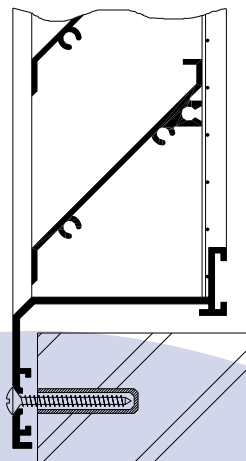
+ 0 None



Fixings by installers via positions indicated in situ. From the face of the louvre it is possible to fix between the louvre blades via the side frames. Use code +0 as the 6th digit of the product coding. Final sealing by installers.

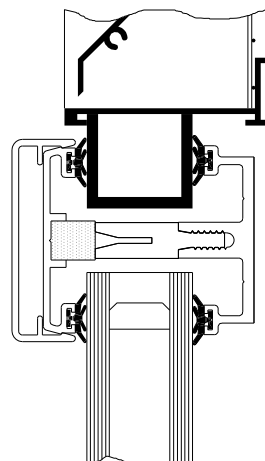
+ 1 Flange Holes

Pre-punched or drilled flange holes to take No.8 self-tapping screws. Hole position at the discretion of the factory, unless stated otherwise.



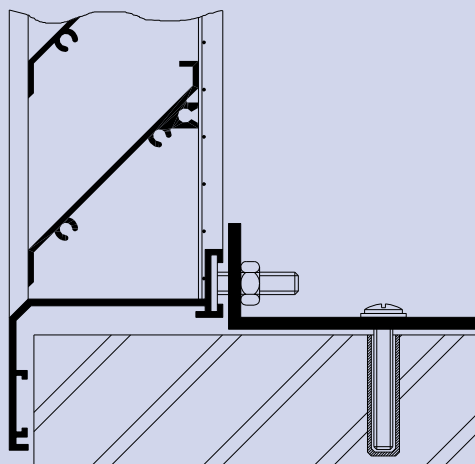
+ G Glazing Bar

25mm or 28mm glazing bar welded around the perimeter of louvre frame. Suitable for double glazing frame applications. Available on louvre types 'W4' and 'W6'. Specify the overall glass size which the louvre is to replace and glass thickness (25mm or 28mm)



+ 2 Rear Fixing Lugs C/W Tee Bolts

Fixing style '+2' is intended for the larger sized louvre panel with either flanged framing or recess style frame. Specially formed 'Tee bolts' traverse within the track at the rear of frame. Bolts and brackets supplied but quantity at the factory's discretion.



+ 4 Rear Fixing Lugs

Fixing style '+4' is ideal for small to medium sized louvre panels. Brackets are of 1.6mm galvanised sheet steel folded but undrilled. Screws and bolts supplied by others. Brackets should be affixed direct to rear of louvre frame by self-tapping screws. The quantity of brackets is at the factory's discretion (minimum 4 No.)

